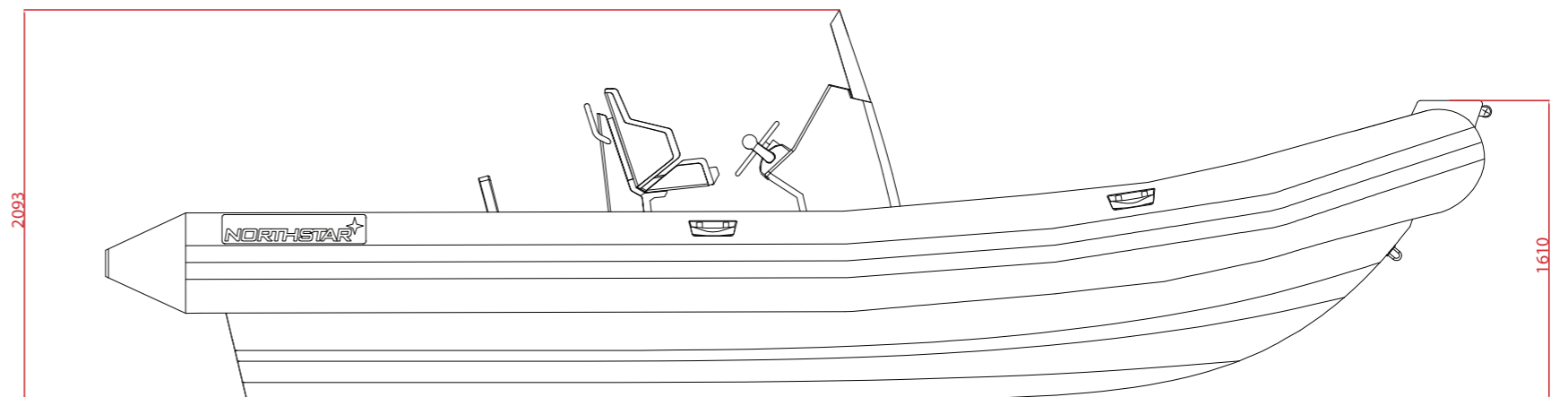
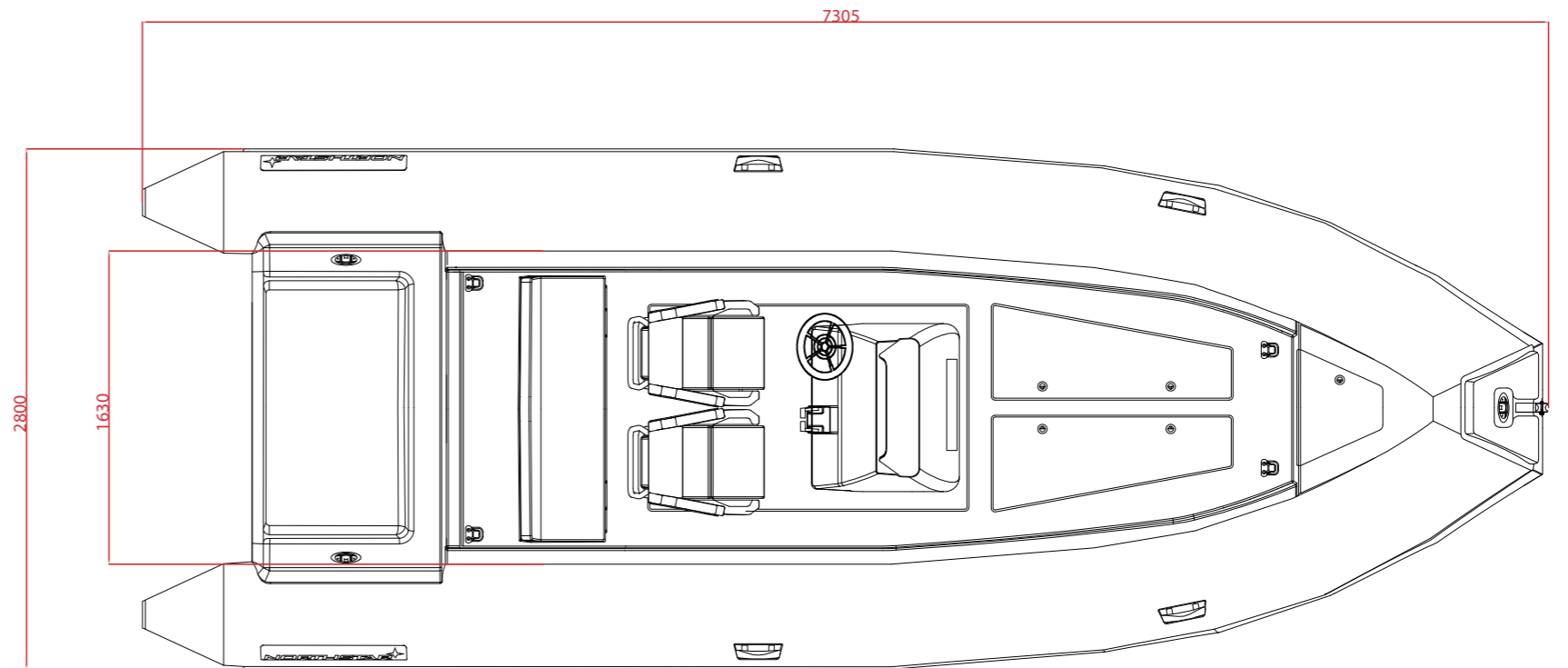


# NORTHSTAR<sup>★</sup>

## CORE 7.2

### Specifications

Length	7.3 m. / 23'9"
Beam	2.8 m. / 9'2"
Maximum Payload	1541 kg. / 3397 lbs
Empty Weight	1205 kg. / 2655 lbs
Maximum Persons	12 pax
Tube Diameter	58 cm. / 23"
Suggested Tube Pressure	0.18 bar / 2.6 psi
No. of Chambers	8
Maximum Power	250 HP
Recommended Power	200 HP
Shaft Length	2 XL / XXL
Fuel Tank Capacity	400 lt. / 105 US Gal
Design Category	CE - Cat. B

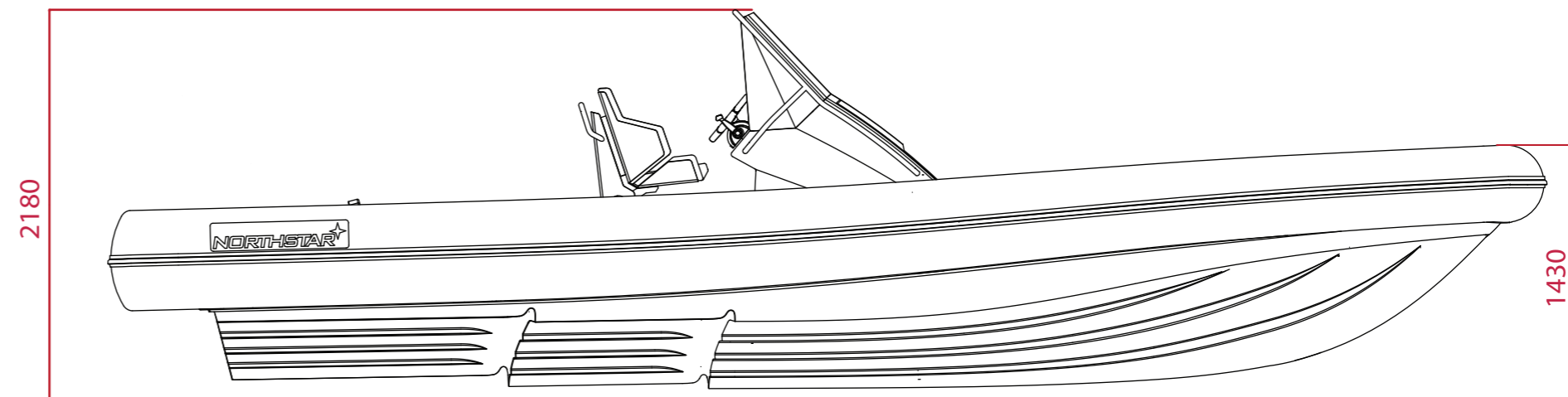
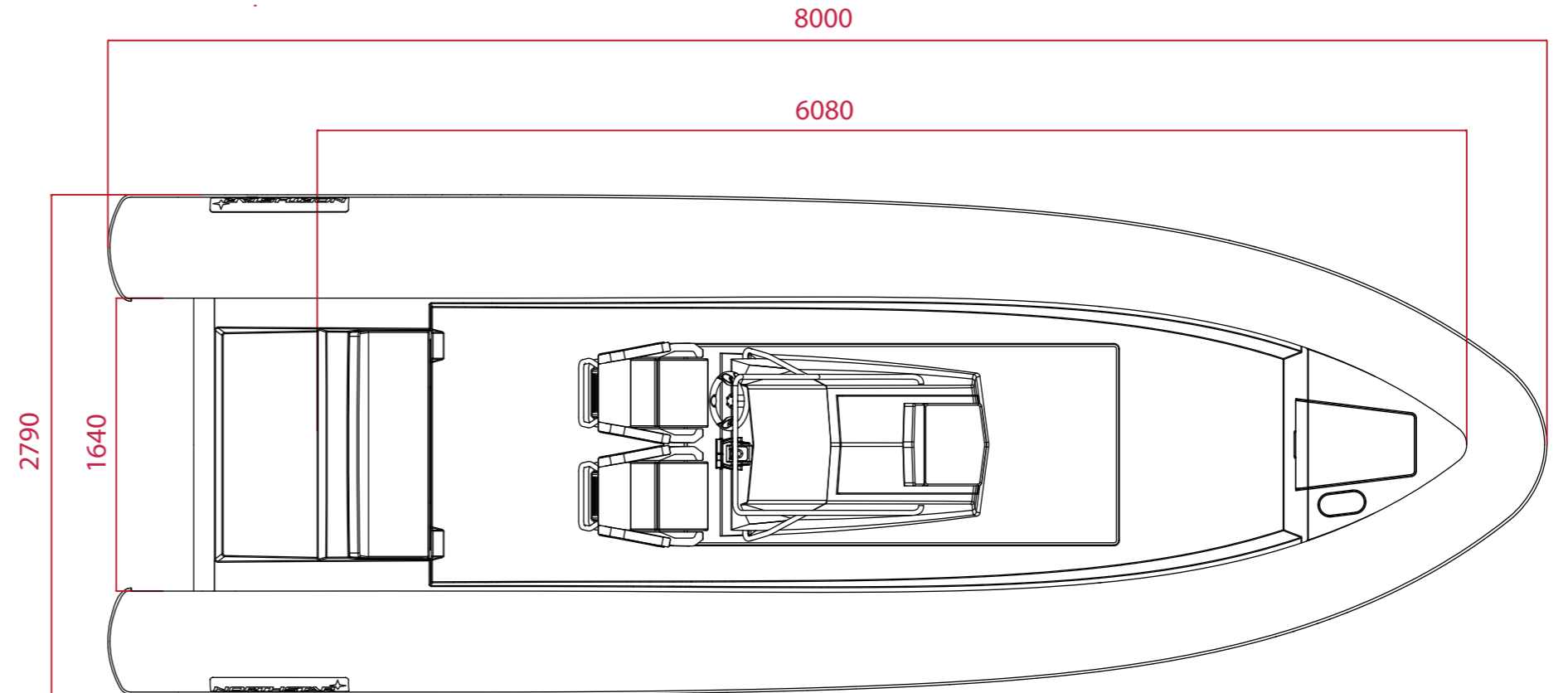


measurements in mm

# NORTHSTAR<sup>★</sup> CORE 8

## Specifications

Length	8 m. / 26'2"
Beam	2.8 m. / 9'2"
Max Payload	1800 kg. / 3970 lbs
Empty Weight	1420 kg. / 3130 lbs
Maximum Persons	14 pax
Tube Diameter	56 cm. / 22"
Suggested Tube Pressure	0.18 bar / 2.6 psi
No. of Chambers	7
Maximum Power	350 HP
Recommended Power	300 HP
Shaft Length	XXL / 2 XL
Fuel Tank Capacity	450 lt. / 118 US Gal
Design Category	CE - Cat. B



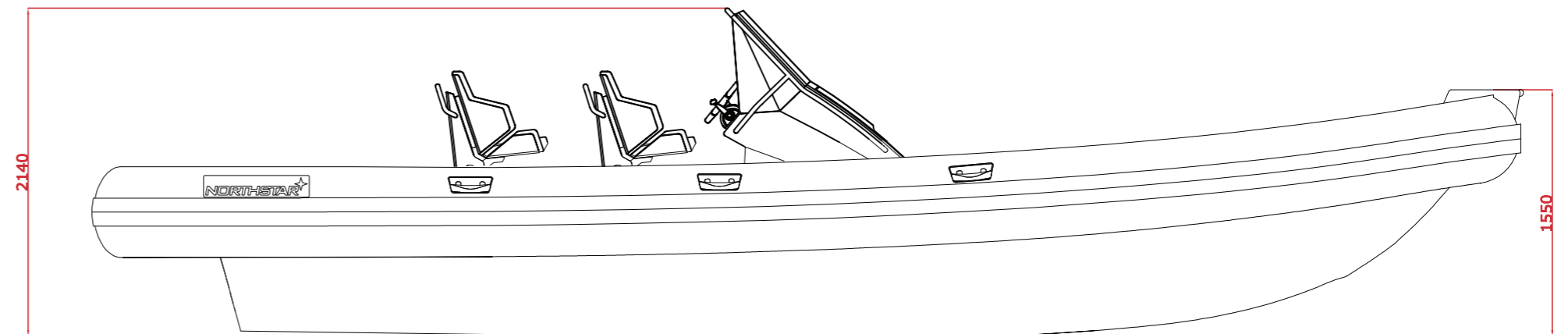
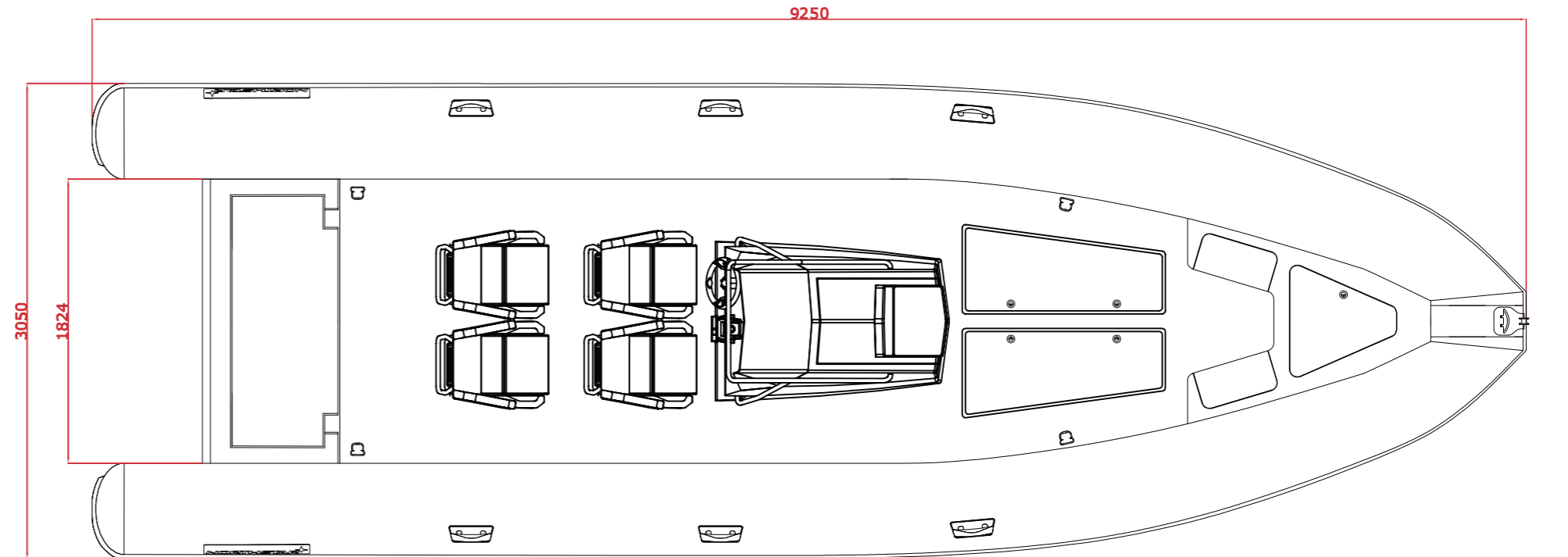
measurements in mm

# NORTHSTAR<sup>★</sup>

## CORE 9.5

### Specifications

Length	9.25 m. / 30'4"
Beam	3.05 m. / 10'
Maximum Payload	1985 kg. / 4376 lbs
Empty Weight	1540 kg. / 3395 lbs
Maximum Persons	16 pax
Tube Diameter	58 cm. / 23"
Suggested Tube Pressure	0.18 bar / 2.6 psi
No. of Chambers	8
Maximum Power	500 HP
Recommended Power	450 HP
Shaft Length	2 XL / XXL
Fuel Tank Capacity	500 lt. / 132 US Gal
Design Category	CE - Cat. B



measurements in mm