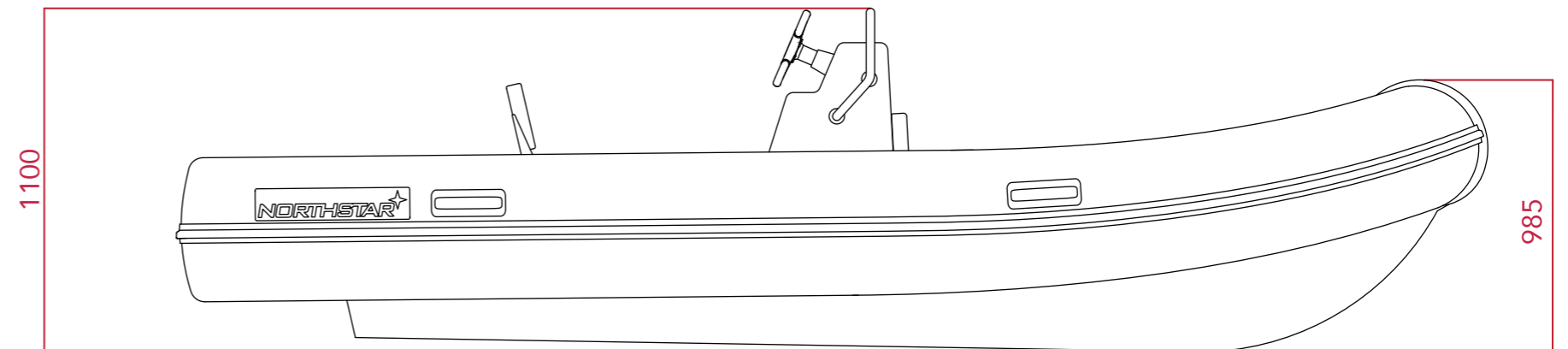
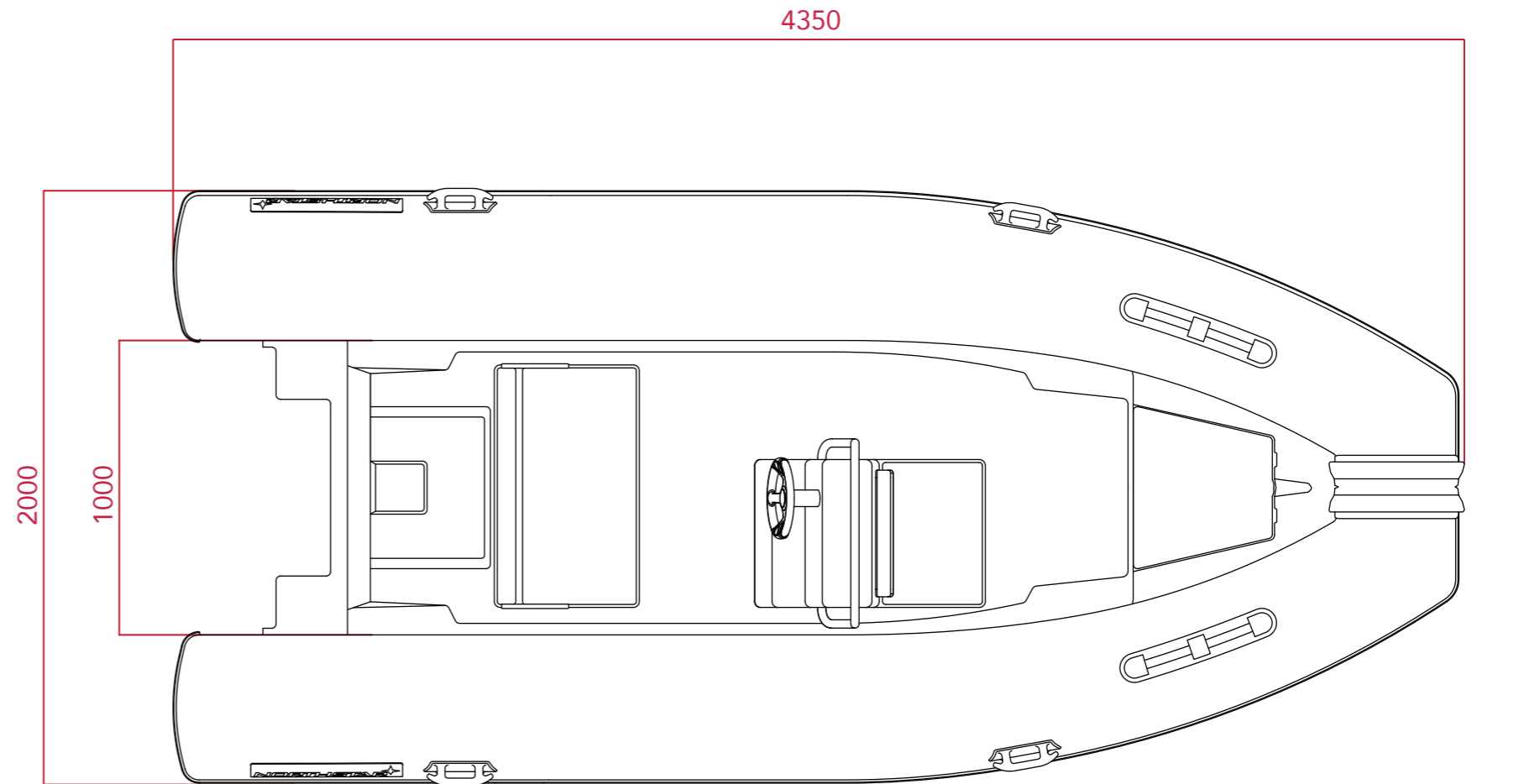


# NORTHSTAR<sup>★</sup> CORE 4.35

## Specifications

Length	4.35 m. / 14'3"
Beam	2 m. / 6'6"
Weight	180 kg. / 396 lbs
Tube Diameter	0.48 m. / 18.8"
Suggested Tube Pressure	0.18 bar / 2.6 psi
No. of Chambers	4
Maximum Persons	7
Minimum Power	30 HP
Maximum Power	50 HP
Recommended Power	40 HP
Shaft Length	L
Fuel Tank Capacity	-
Design Category	CE - Cat. C

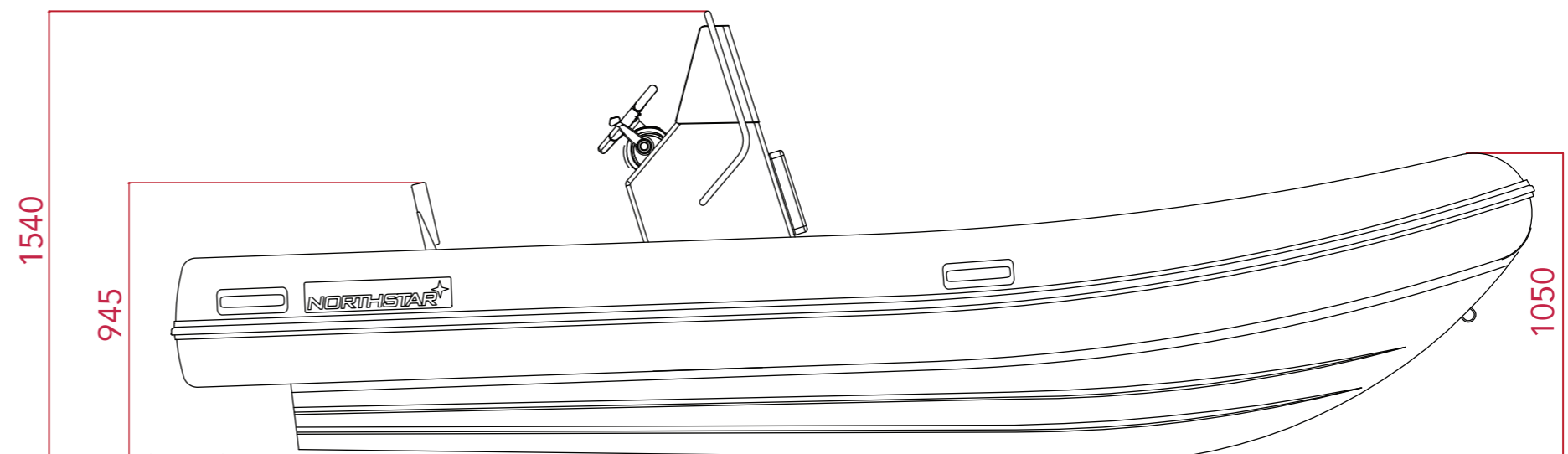
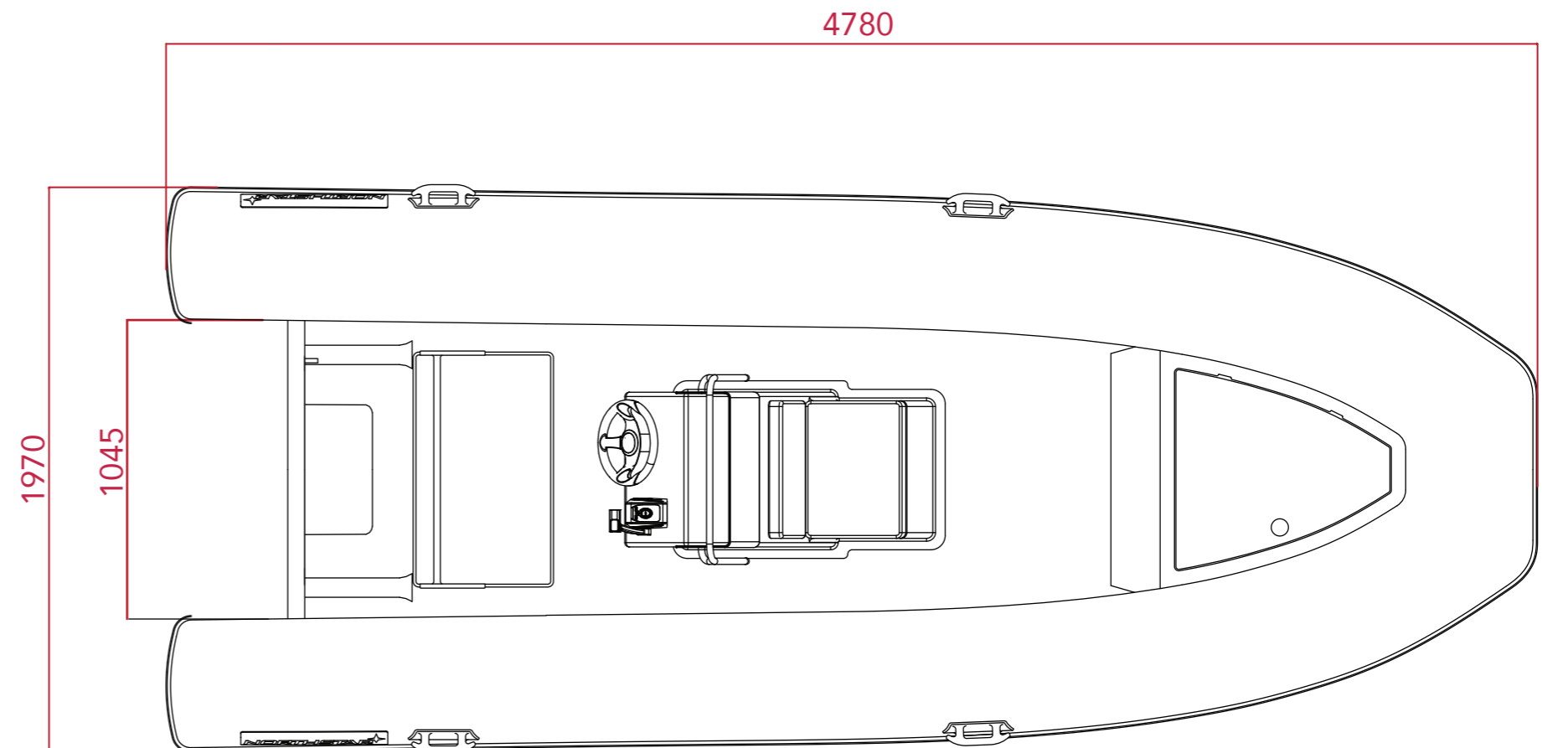


measurements in mm

# NORTHSTAR<sup>★</sup> CORE 4.8

## Specifications

Length	4.78 m.
Beam	1.97 m.
Maximum Payload	720 kg.
Empty Weight	270 kg.
Maximum Persons	8 pax
Tube Diameter	0.50 m.
Suggested Tube Pressure	0.18 bar / 2.6 psi
No. of Chambers	4
Maximum Power	85 HP
Recommended Power	60 HP
Shaft Length	L
Fuel Tank Capacity	-
Design Category	CE - Cat. C

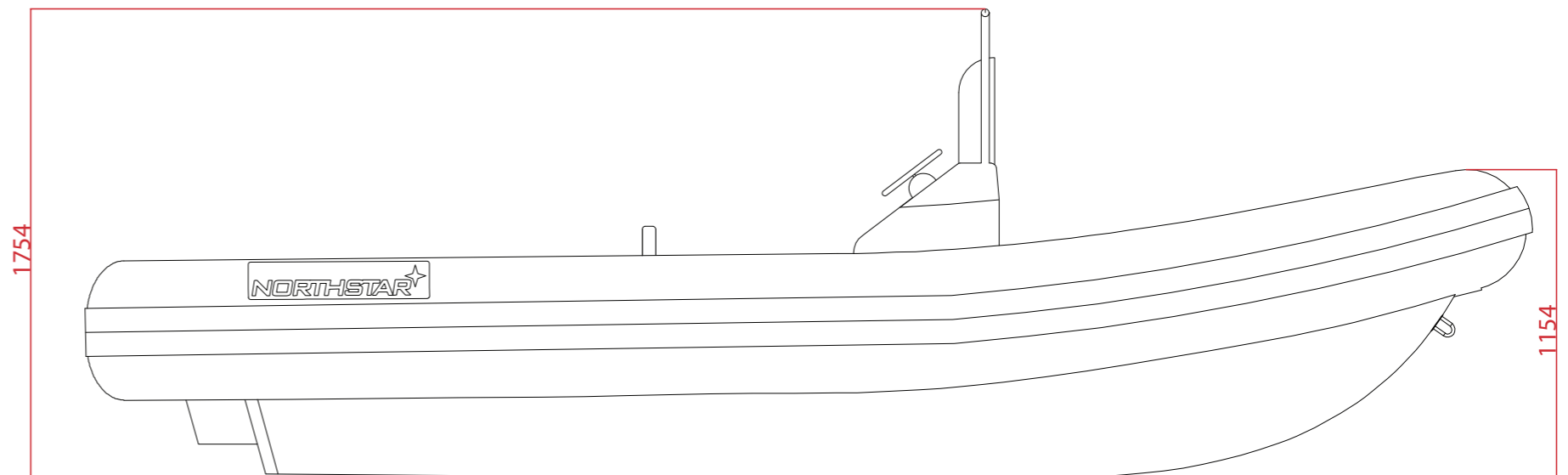
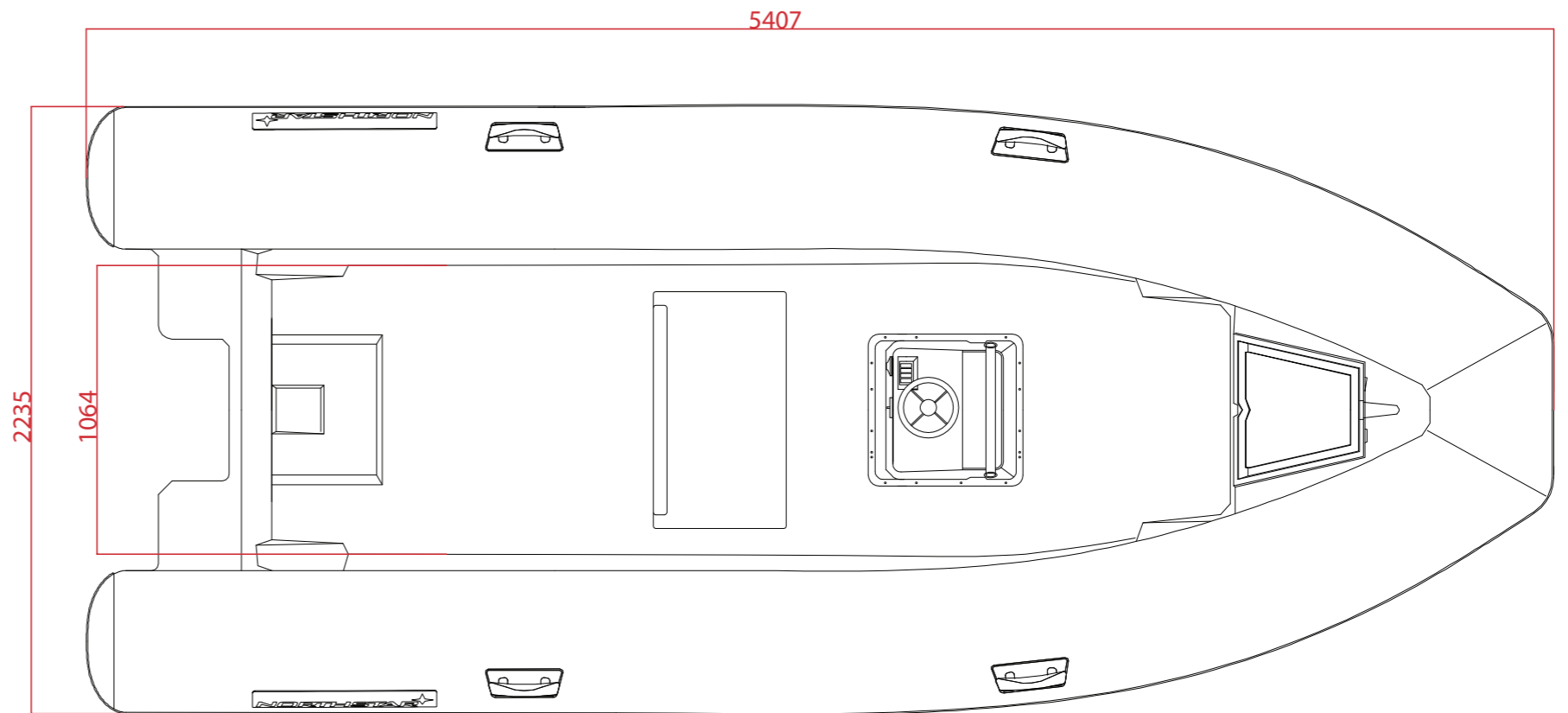


measurements in mm

# NORTHSTAR<sup>★</sup> CORE 5.4

## Specifications

Length	5.4 m.
Beam	2.2 m.
Maximum Payload	900 kg.
Empty Weight	420 kg.
Maximum Persons	10 pax
Tube Diameter	0.52 m.
Suggested Tube Pressure	0.18 bar / 2.6 psi
No. of Chambers	4
Maximum Power	115 HP
Recommended Power	90 HP
Shaft Length	L
Fuel Tank Capacity	-
Design Category	CE - Cat. C



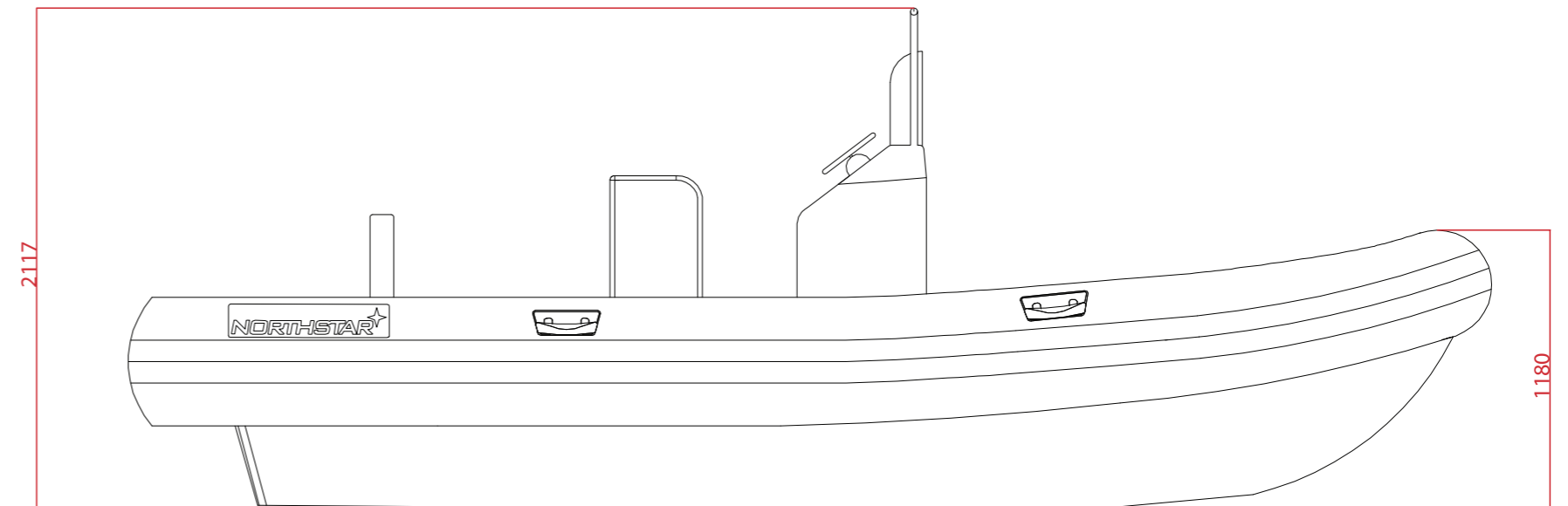
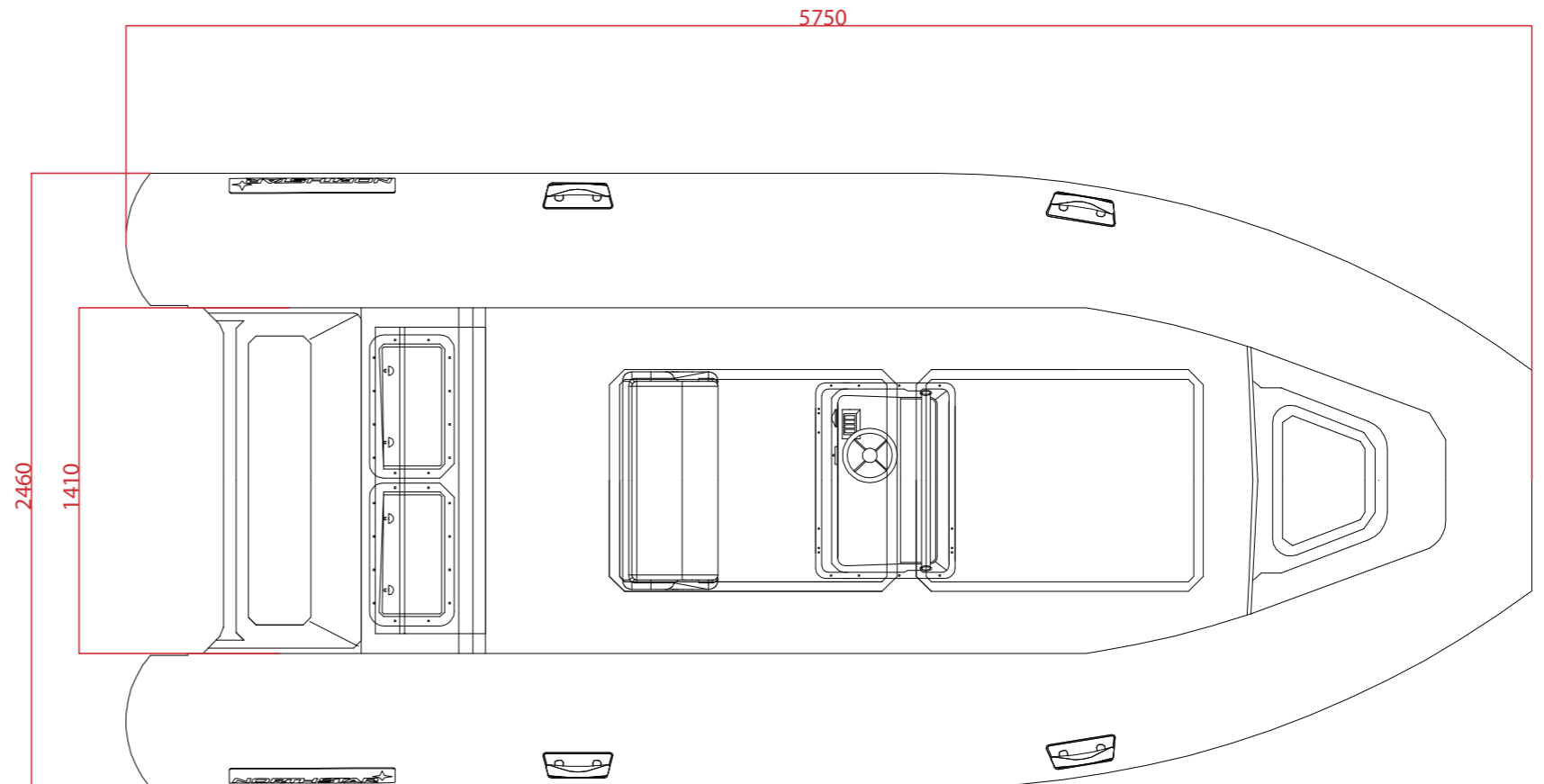
measurements in mm

# NORTHSTAR<sup>★</sup>

## CORE 5.75

### Specifications

Length	5.7 m.
Beam	2.4 m.
Maximum Payload	1020 kg.
Empty Weight	640 kg.
Maximum Persons	12 pax
Tube Diameter	0.53 m.
Suggested Tube Pressure	0.18 bar / 2.6 psi
No. of Chambers	5
Maximum Power	140 HP
Recommended Power	115 HP
Shaft Length	L
Fuel Tank Capacity	120 lt.
Design Category	CE - Cat. C

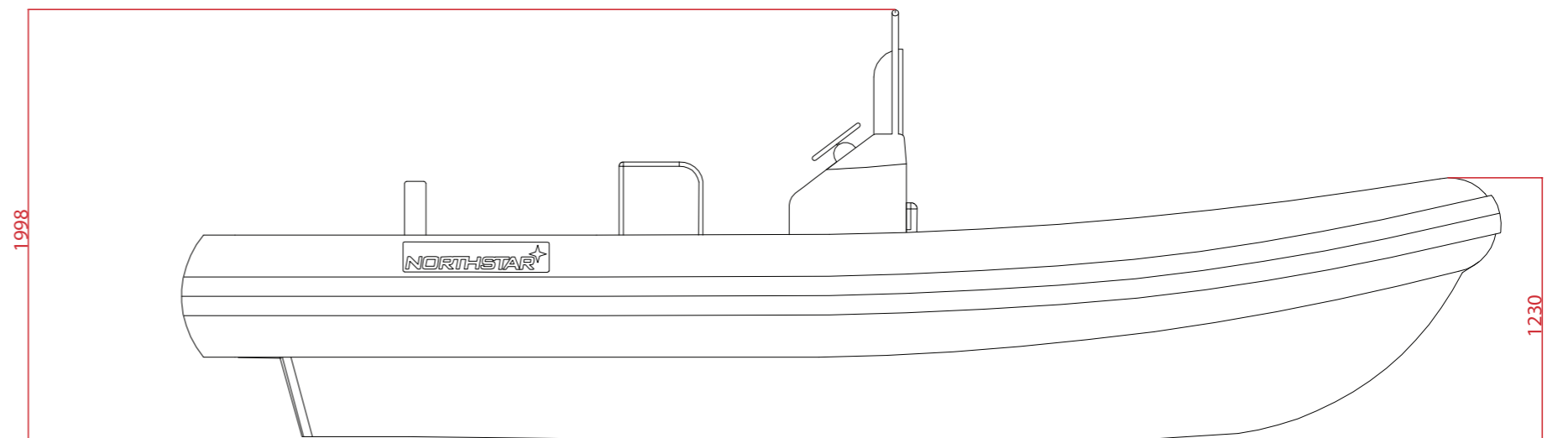
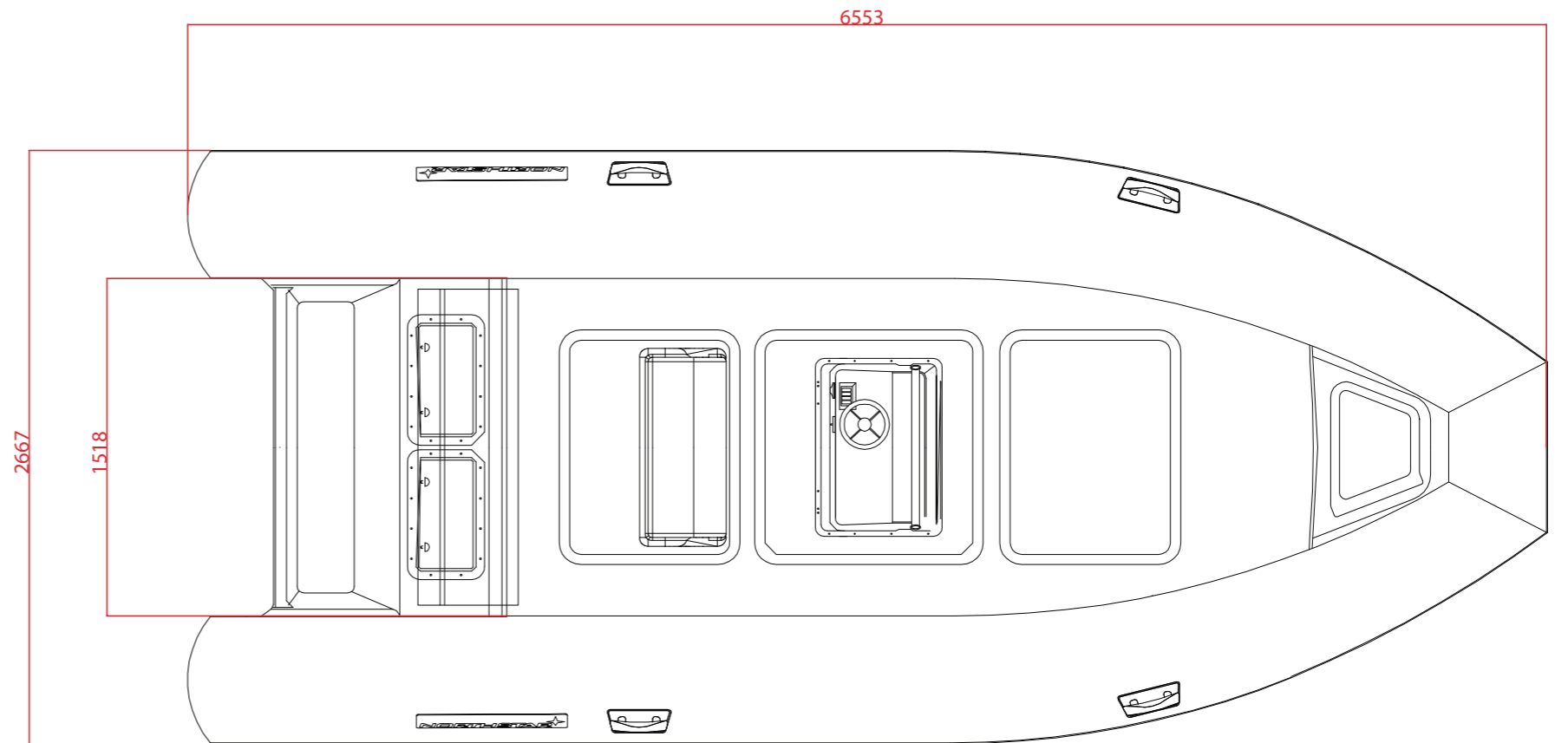


measurements in mm

# NORTHSTAR<sup>★</sup> CORE 6.4

## Specifications

Length	6.5 m.
Beam	2.7 m.
Maximum Payload	1190 kg.
Empty Weight	810 kg.
Maximum Persons	13 pax
Tube Diameter	0.56 m.
Suggested Tube Pressure	0.18 bar / 2.6 psi
No. of Chambers	5
Maximum Power	200 HP
Recommended Power	175 HP
Shaft Length	XL / 2 L
Fuel Tank Capacity	170 lt.
Design Category	CE - Cat. B



measurements in mm