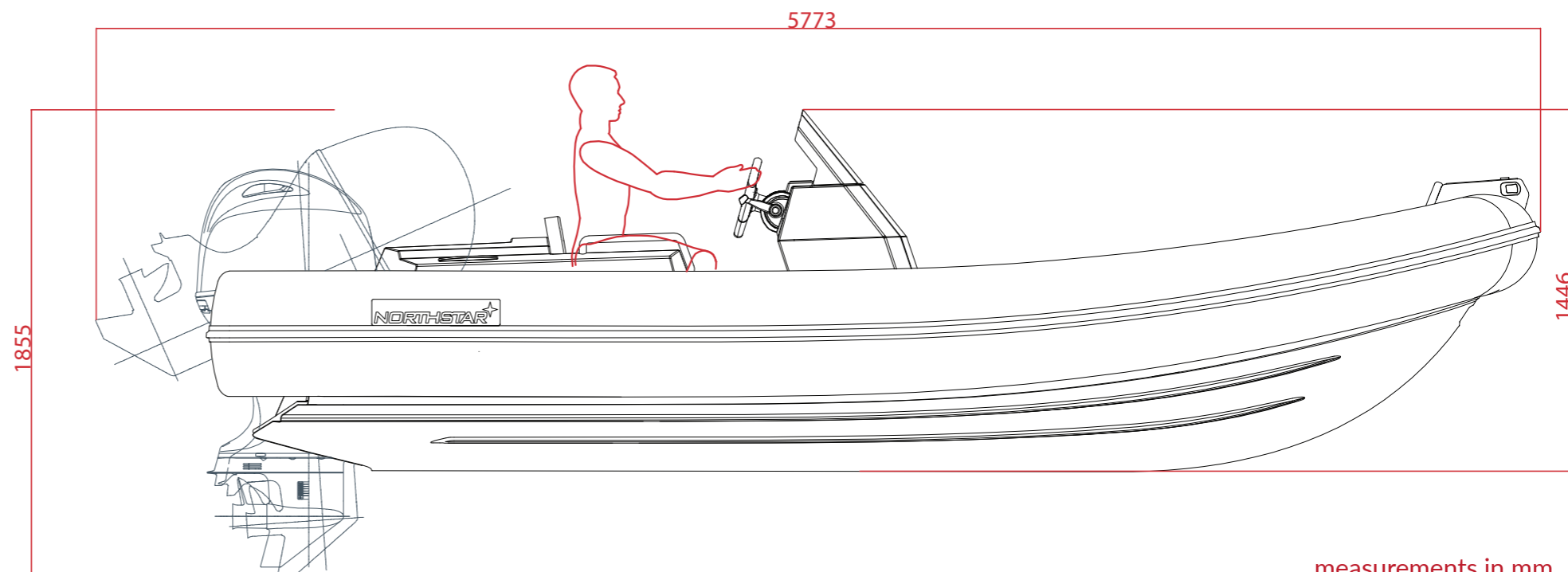
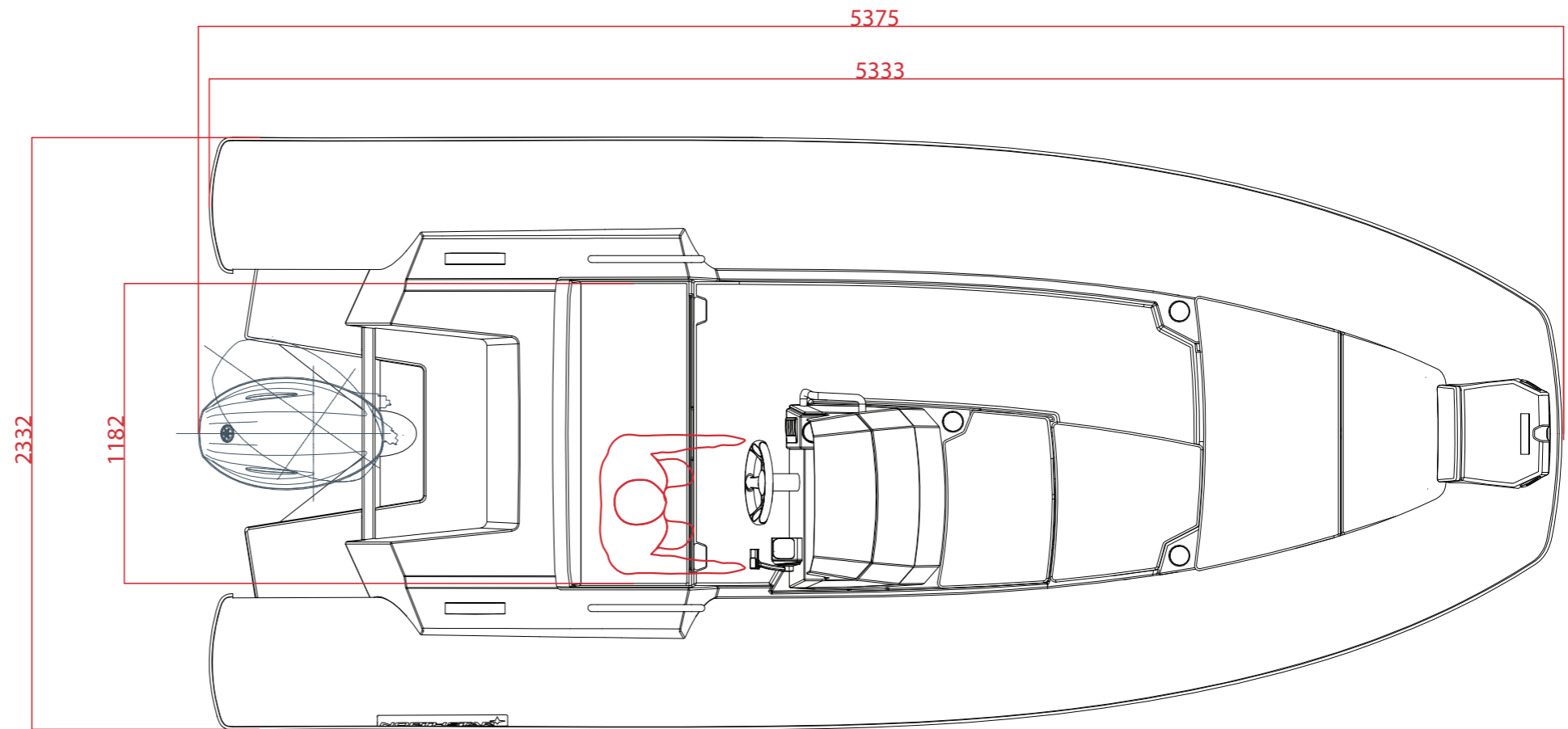


NORTHSTAR AXIS 5.3

Specifications

Length	535 cm. / 17'5"
Beam	233 cm. / 7'8"
Weight	495 kg. / 1092 lbs
Tube Diameter	0.48 m. / 18.9"
Suggested Tube Pressure	0.18 bar / 2.6 psi
No. of Chambers	4
Maximum Persons	9
Minimum Power	70 HP
Maximum Power	115 HP
Recommended Power	90 HP
Shaft Length	L
Fuel Tank Capacity	62 lt. / 16.4 US Gal
Design Category	CE - Cat. C



measurements in mm