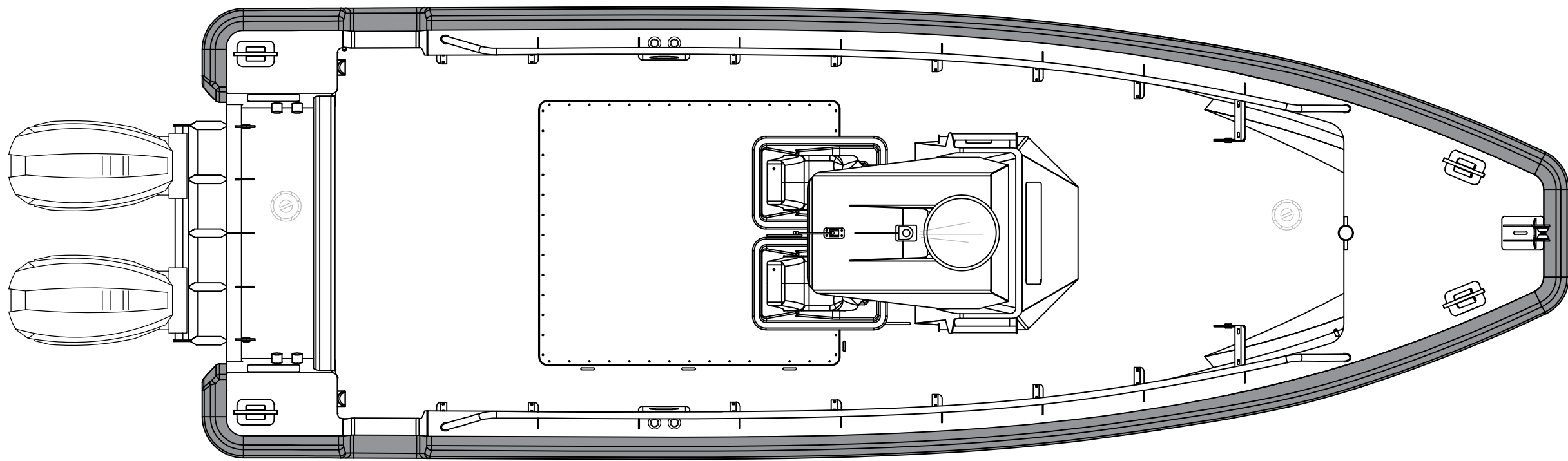
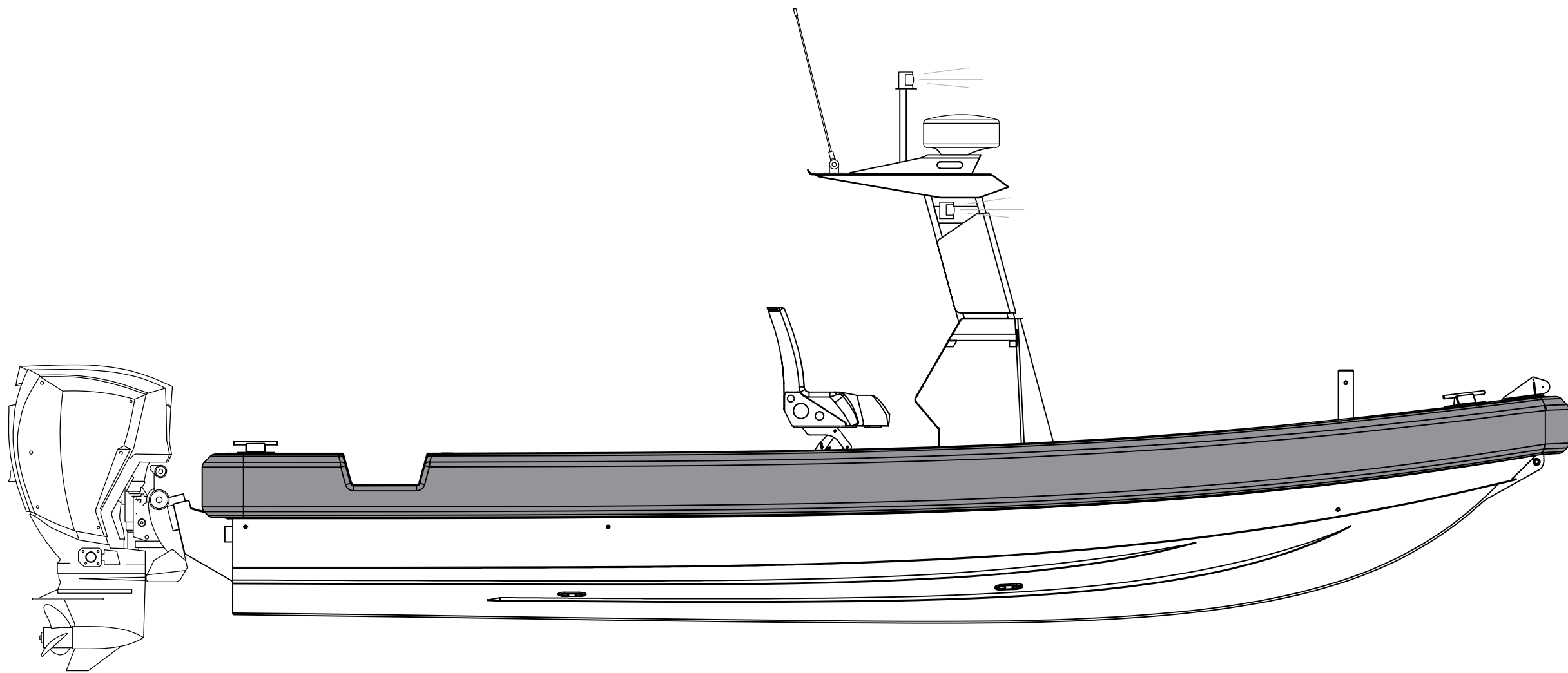



LENGTH OVERALL	8,30m
BREADTH OVERALL	2,68m
LENGTH AT WATERLINE	6,94m
BREADTH AT WATERLINE	2,11m
DRAUGHT	0,42m
DEPTH	1,02m
DISPLACEMENT (APPROXIMATE)	3000kg
MAXIMUM ENGINE POWER	2 x 300 HP
SHAFT LENGTH	XL / 2 x L
FUEL CAPACITY	650 L



	NAME	SIGNATURE	DATE		TITLE AR 850 GENERAL ARRANGEMENT	
DRAWN	G. LOURENS		2017-03-15			
CHK'D	K. POTGIETER		2017-03-15		DWG NO.	T355-000-000-A
				REVISION: A	SCALE: 1 : 30	SHEET 1 OF 1